



## Fixed Rod Moorestown Cabinet Cremone

*Includes Cabinet Cremone Suited Trim*

BOL173-60	Fixed Rod Mooresown Cabinet Cremone 60"
BOL173-72	Fixed Rod Mooresown Cabinet Cremone 72"
BOL173-84	Fixed Rod Mooresown Cabinet Cremone 84"

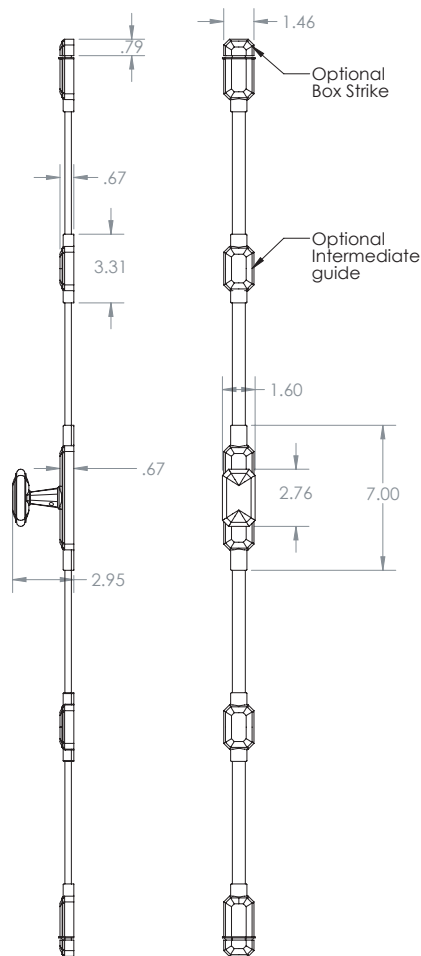
## Moorestown Cabinet Cremone

*Includes Cabinet Cremone Suited Trim*

BOL172-60	Mooresown Cabinet Cremone 60"
BOL172-72	Mooresown Cabinet Cremone 72"
BOL172-84	Mooresown Cabinet Cremone 84"

## Moorestown Cabinet Cremone Accessories

ACC-194	Cabinet Cremone Box Strike
ACC-195	Moorestown Cabinet Cremone Mid Guide
2100-AS	Optional Angle Strike
2100-MS	Mortise Strike



Optional Box Strike



Optional Intermediate Guide



## Moorestown Cabinet Cremone Bolt

### Features:

Von Morris Moorestown Cabinet Cremone Bolts feature a solid brass case CNC milled from brass billet and guides with an internal mechanism of brass and stainless steel. The Cabinet Cremone case is very narrow, less than 1.5", for use on narrow stiles of Cabinet or Pantry doors and windows. Cremone case contains a cassette mechanism that can be handed simply by reversing the cassette. The Cremone can also be easily changed from lever operation (90° rotation) to knob operation (180°) simply by relocating the spindle. Shoot Bolts are attached to the Cremone mechanism with machine screws. **Knobs or Levers must be ordered separately.**

### Guides:

End Guides have a flat spring operating on the front of the bolt to prevent rattling. The length of the Guide and placement of the spring conceals any scratches on the bolt caused by the spring. This End Guide design allows the bolts to be installed on the door and then cut to length at the job site.

### Cabinet Cremone Case Size:

Length of Cassette:	7.000"
Width:	1.463"
Height to edge of case:	0.670"
Height to face of knob/lever boss:	1.024"

Standard Lengths: 5.0', 6.0' and 7.0'. Other sizes by special order.  
Bolts can be cut to size at job site.

Hub Rotation: Knob - 180° rotation. Lever - 90° rotation.

Throw: Knob Operation – 1.00" Lever Operation – 0.75"

Spindle: Cabinet Cremones are supplied with a 2.0" special spindle for single sided operation

Strikes: Cremone Bolts are supplied with Mortise and Universal strikes. Angle strikes, Box strikes and Intermediate Guides are available at an additional cost.

