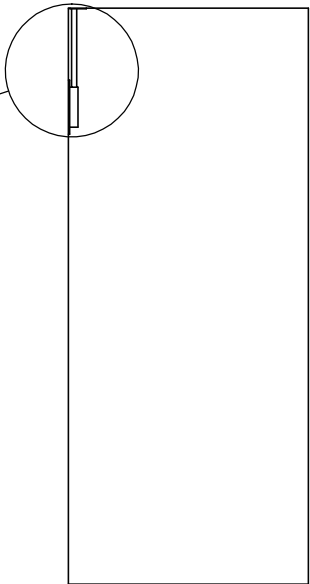
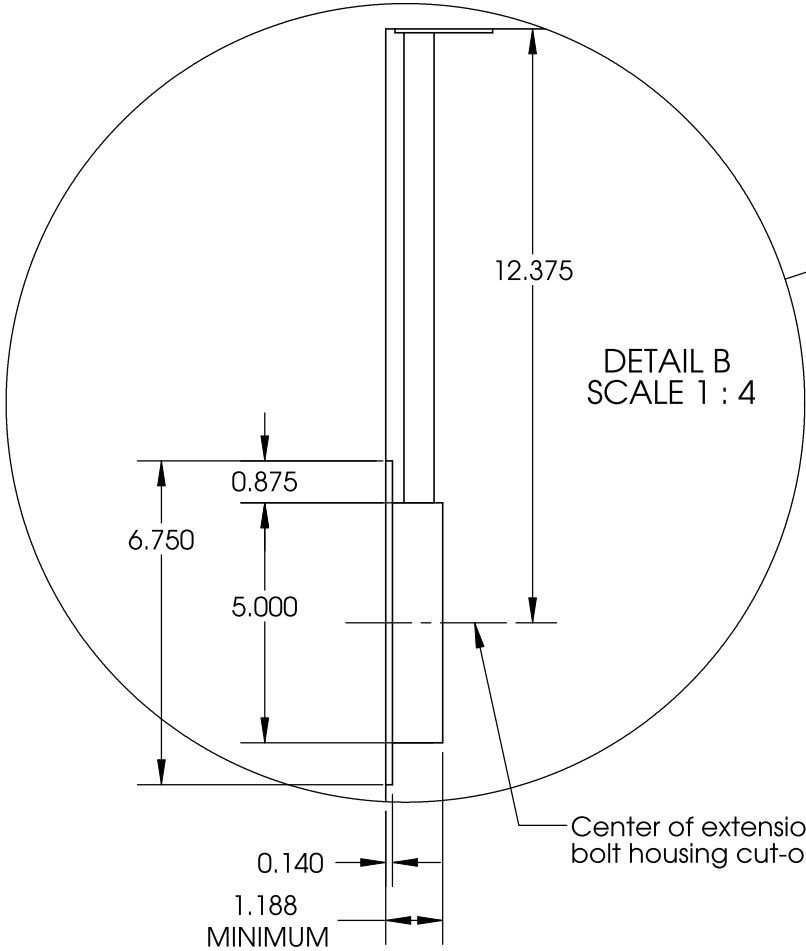
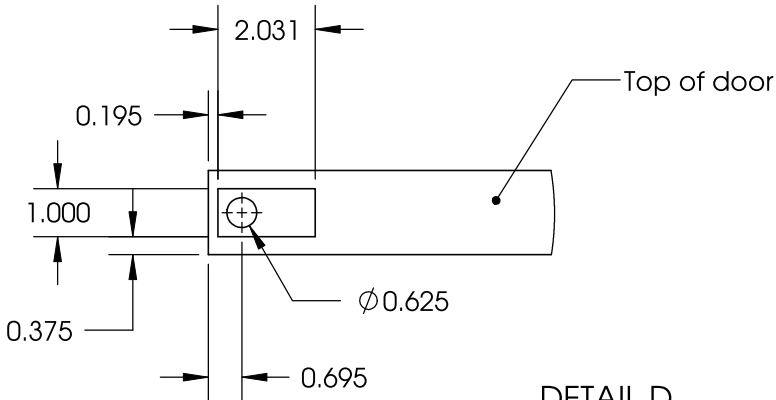
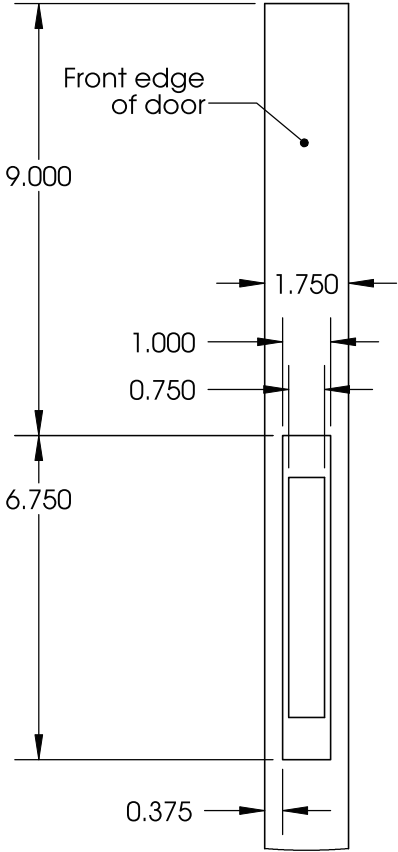


SECTION A-A



DETAIL C
SCALE 1 : 4



DETAIL D
SCALE 1 : 4

THE INFORMATION CONTAINED IN THIS DRAWING IS THE SOLE PROPERTY OF ERIC MORRIS & COMPANY. ANY REPRODUCTION IN PART OR AS A WHOLE WITHOUT THE WRITTEN PERMISSION OF ERIC MORRIS & COMPANY IS STRICTLY PROHIBITED.

TITLE:
2202 Extension Flush Bolt Door Prep

DO NOT SCALE DRAWING

SCALE:1:1

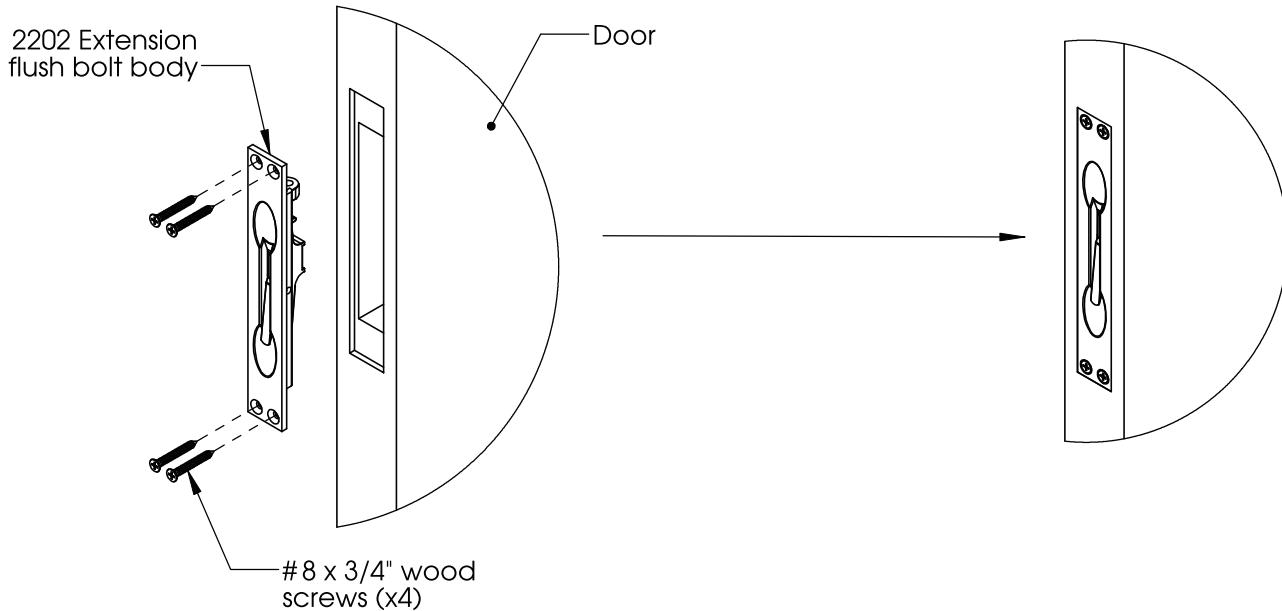
SHEET 1 OF 1



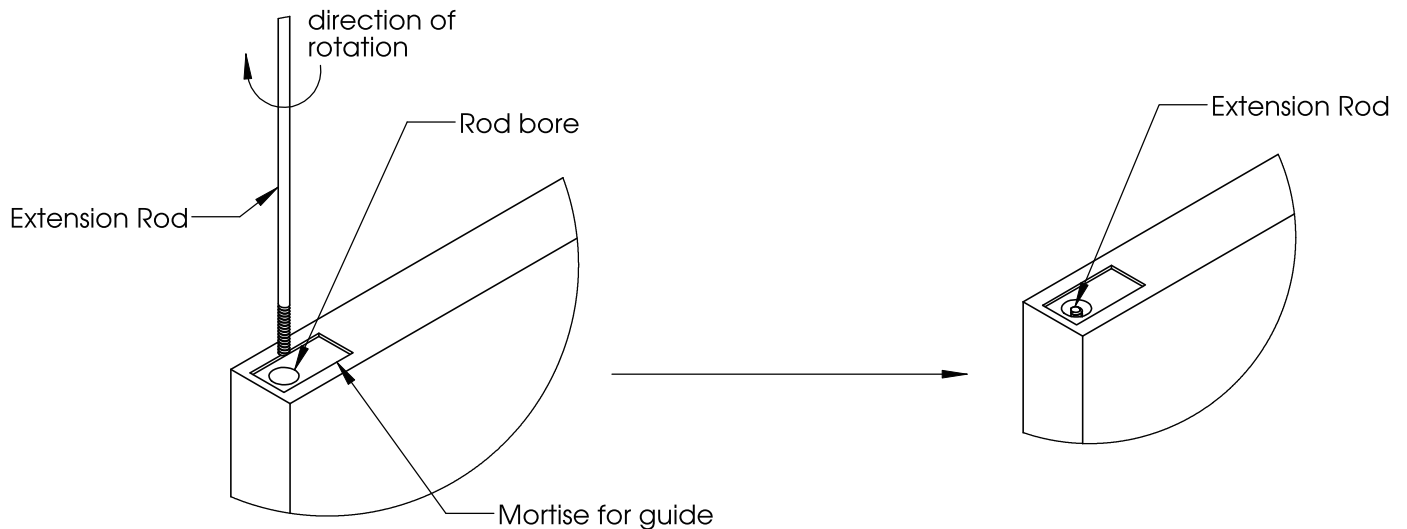
Phone: +1-856-997-0222
 Fax: +1-856-294-5116
 Email: info@ericmorrisandco.com
 Web: <http://www.ericmorrisandco.com>
 Address: ERIC MORRIS & COMPANY
 7249-A Browning Road
 Pennsauken, NJ 08109

2202 Extension Flush Bolt Installation Instructions

- 1) Prep door according to door prep template/dimensions shown on page 1 of the installation instructions.
- 2) Install extension flush bolt housing (with rod and tip detached) into mortise cut-out using the four (4) #8 x 3/4" flat head wood screws provided as shown below.



- 3) Install threaded extension rod thru extension rod bore in door. Thread rod into 2202 Extension flush bolt housing by turning the rod clockwise.



THE INFORMATION CONTAINED IN THIS DRAWING IS THE SOLE PROPERTY OF ERIC MORRIS & COMPANY. ANY REPRODUCTION IN PART OR AS A WHOLE WITHOUT THE WRITTEN PERMISSION OF ERIC MORRIS & COMPANY IS STRICTLY PROHIBITED.

TITLE:

DO NOT SCALE DRAWING

SCALE:1:1

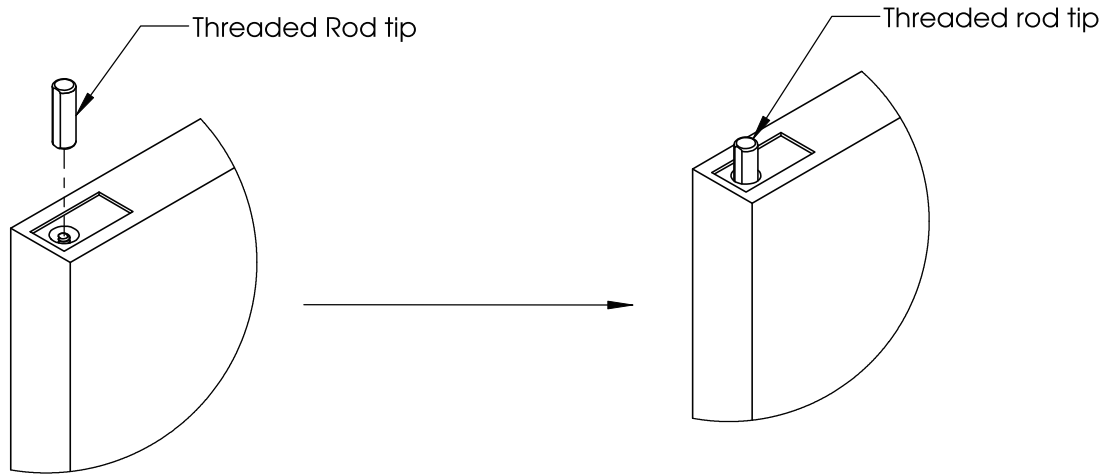
SHEET 1 OF 1



Phone: +1-856-997-0222
Fax: +1-856-294-5116
Email: info@ericmorrisandco.com
Web: <http://www.ericmorrisandco.com>
Address: ERIC MORRIS & COMPANY
7249-A Browning Road
Pennsauken, NJ 08109

4) Install threaded rod tip prior to installing extension bolt guide. The tip is threaded onto the rod by turning the part clockwise.

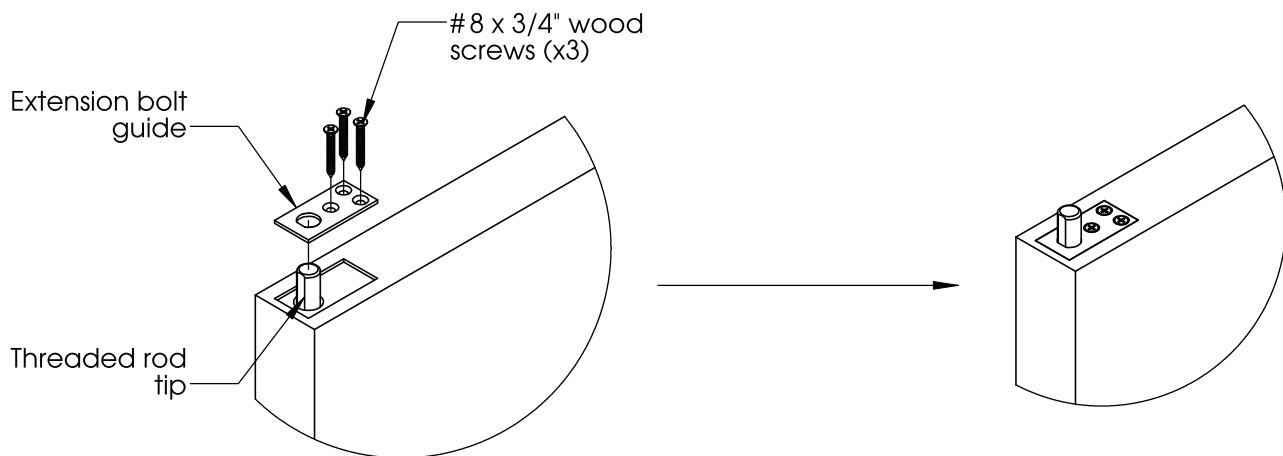
Note: The tip and rod are threaded to allow for fine tuning and adjustment of the rod's extension.



5) Once the rod and tip are installed and adjusted for the required application, install the rod guide as shown below using the three (3) screws provided.

Note: Once the guide is installed, it will prevent the rod and tip from rotating.

Note 2: The guide is intended to be mortised into the top edge of the door, however, if spacing allows, the guide could be surface mounted.



THE INFORMATION CONTAINED IN THIS DRAWING IS THE SOLE PROPERTY OF ERIC MORRIS & COMPANY. ANY REPRODUCTION IN PART OR AS A WHOLE WITHOUT THE WRITTEN PERMISSION OF ERIC MORRIS & COMPANY IS STRICTLY PROHIBITED.

TITLE:

DO NOT SCALE DRAWING

SCALE:1:1

SHEET 1 OF 1

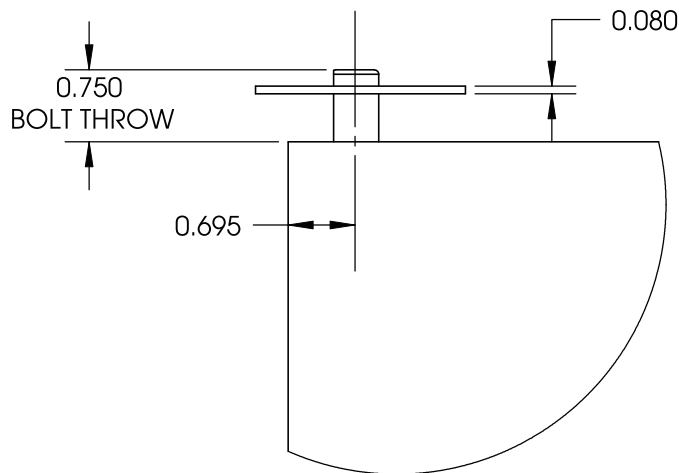
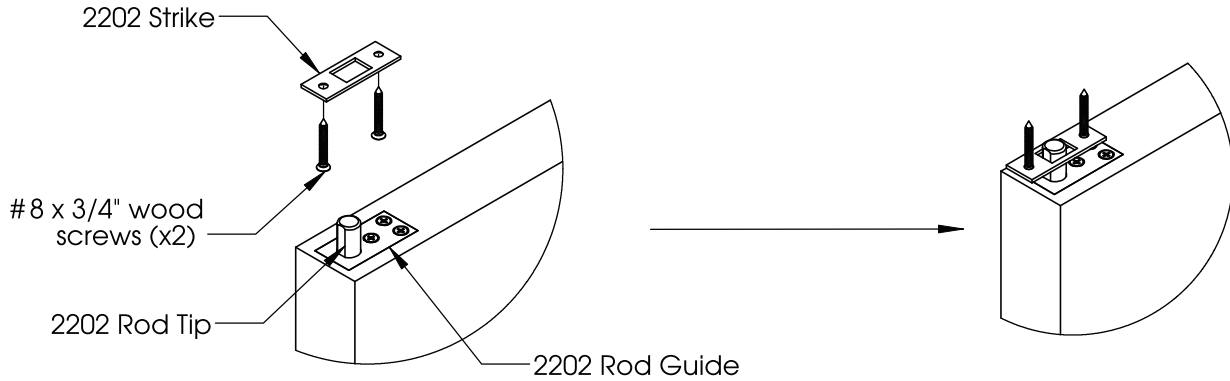


Phone: +1-856-997-0222
Fax: +1-856-294-5116
Email: info@ericmorrisandco.com
Web: <http://www.ericmorrisandco.com>
Address: ERIC MORRIS & COMPANY
7249-A Browning Road
Pennsauken, NJ 08109

6) Install mortise strike into jamb/header as shown below using the two (2) wood screws provided.

Note: The bolt will travel or throw 3/4" (0.75").

Note 2: As with the guide, it is recommended that the strike be mortised into the header, however, if space permits, the strike can be surface mounted.



THE INFORMATION CONTAINED IN THIS DRAWING IS THE SOLE PROPERTY OF ERIC MORRIS & COMPANY. ANY REPRODUCTION IN PART OR AS A WHOLE WITHOUT THE WRITTEN PERMISSION OF ERIC MORRIS & COMPANY IS STRICTLY PROHIBITED.

TITLE:

DO NOT SCALE DRAWING

SCALE:1:1

SHEET 1 OF 1



Phone: +1-856-997-0222
Fax: +1-856-294-5116
Email: info@ericmorrisandco.com
Web: <http://www.ericmorrisandco.com>
Address: ERIC MORRIS & COMPANY
7249-A Browning Road
Pennsauken, NJ 08109